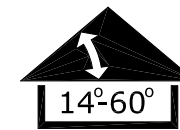


General Notes

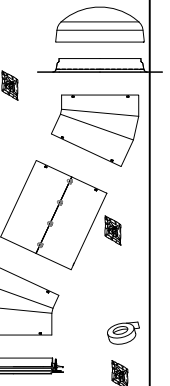
1. This drawing emphasizes the TGR low profile pan flashed VELUX SUN TUNNEL Skylight. It illustrates a general arrangement layout (plus recommendations) for a VELUX TGR installation in a 14–60 degree roof pitch application utilizing a hard ceiling installation.
2. The architectural/structural design and specifications for the inclusion of a tubular daylighting device, such as the VELUX TGR, in any roofing/ceiling application is determined and provided by others. The design criteria includes, but is not limited to design loads, structural configurations, structural framing member sizes and material, architectural finishes and integration with the roofing/ceiling systems of the building. VELUX assumes no responsibility or liability in the design, construction and performance of a building structure by others.
3. Dimensions shown are nominal, unless indicated otherwise.
4. TGR 010 0000 nominal diameter is 10" TGR 014 0000 nominal diameter is 14".
5. Maximum tunnel length is 20'. Minimum tunnel length is 16".
6. Rough opening dimensions vary with roof slope. Roof opening dimensions are referenced in the TGR/TMR Installation Instructions.
7. VELUX recommends fastening TGR flashing to roof decking or roof framing.
8. Minimum 1 1/4" clearance required around ceiling rough opening, to fit trim ring.



TGR Components

TGR 014 0000/TGR 010 0000

- Acrylic Dome
- Counter flashing assembly
- 24"/.61m Rigid tunnel
- (2) 11.5"/.29m Rigid elbows
- Tape for tunnel joints
- Hardware bag



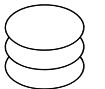
- Option
TGR 014 1000/TGR 010 1000
Impact Polycarbonate dome

- Ceiling diffuser complete with screw-in diffuser
- Gasket material for diffuser
- Hardware bag

- Options
ZTC 010/014 0002US—Prismatic diffuser
ZTC 010/014 0003US—Fresnel diffuser

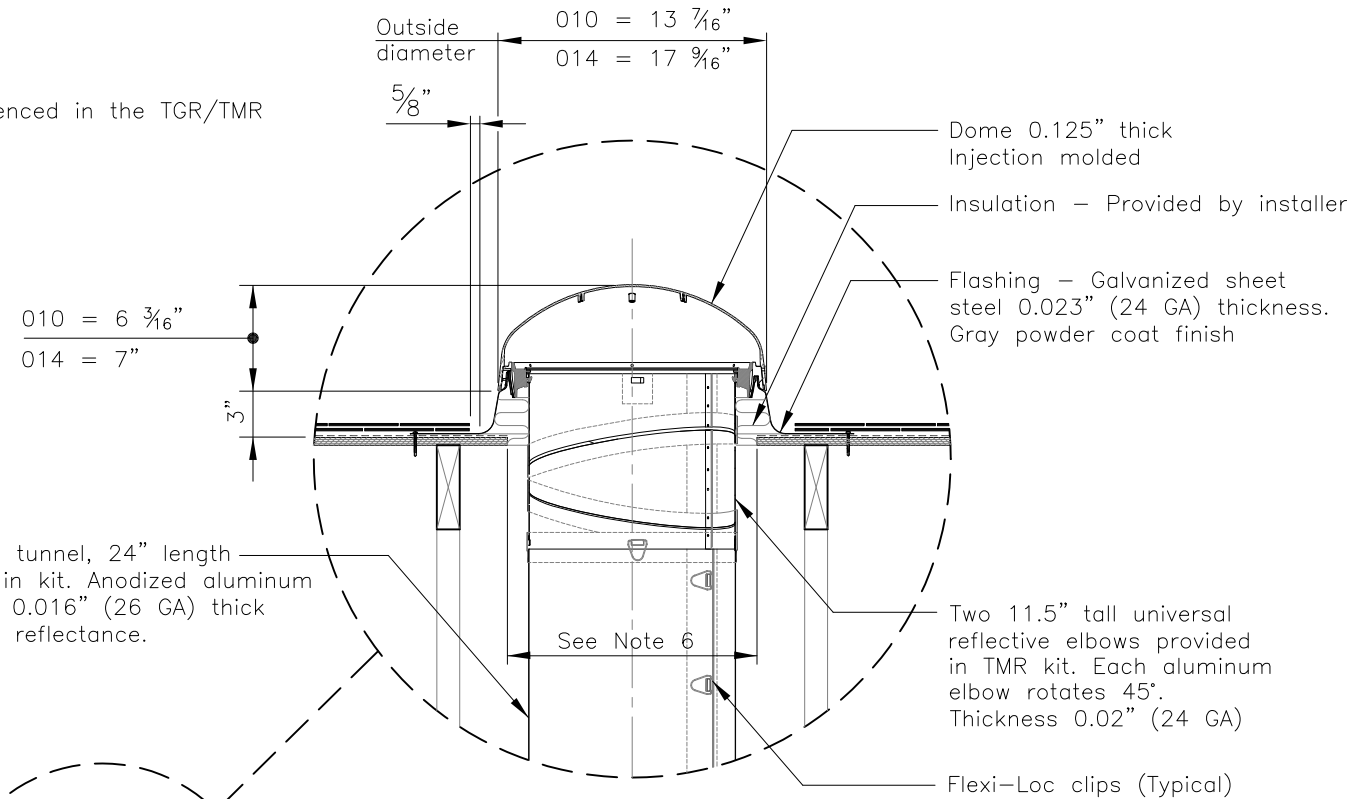
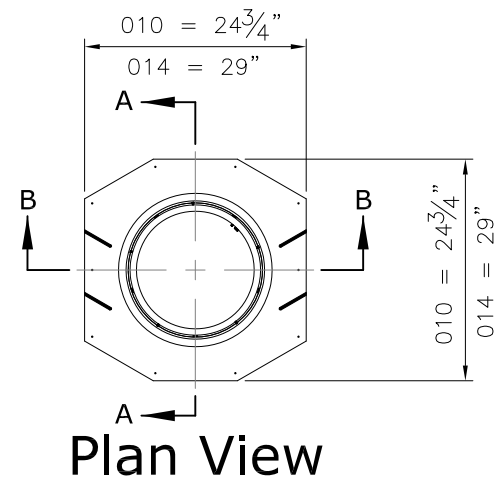
Option: ZTC 014/ZTC 010 0041US Energy kit

- Residential energy kit
(Diffuser—middle & 2—Pivot ring lens)

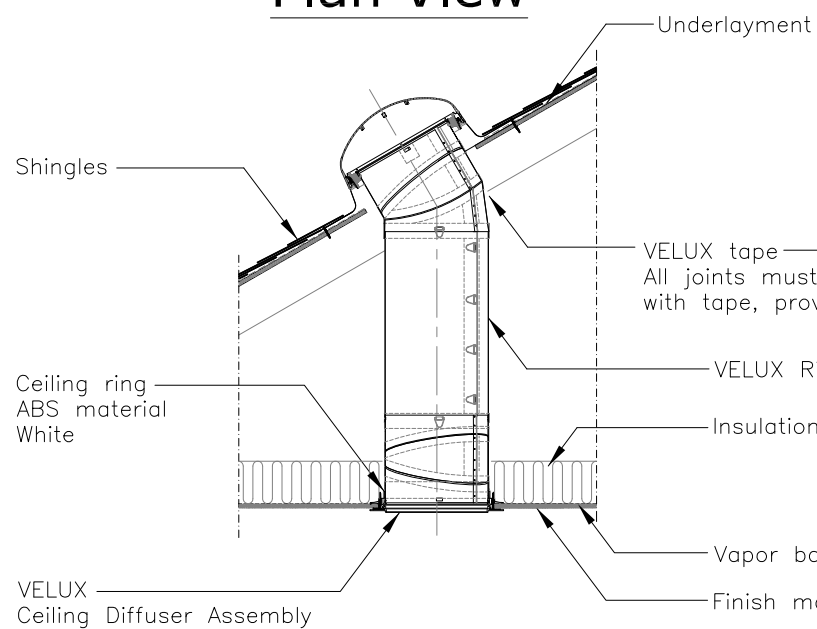


Option: ZTR 014/ZTR 010 Rigid Tunnel Extensions

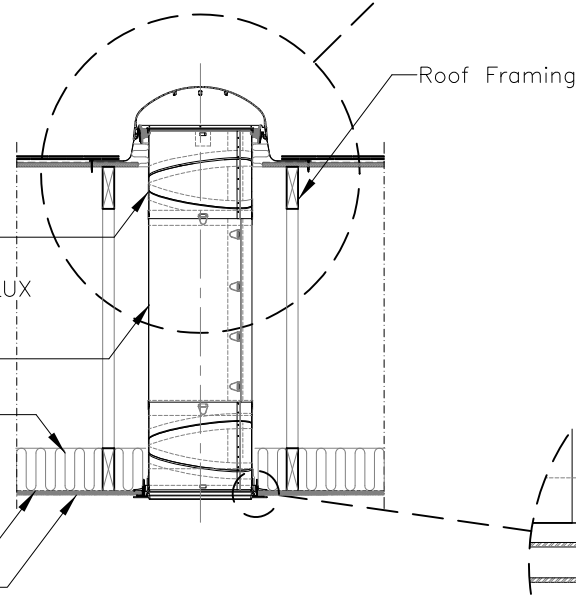
- ZTR 014/010 0002 24"/.61m Rigid tunnel
- ZTR 014/010 0004 48"/1.22m Rigid tunnel
- ZTR 014/010 0006 72"/1.83m Rigid tunnel
- ZTR 014/010 0012 144"/3.66m Rigid tunnel
- ZTR 014/010 0024 288"/7.32m Rigid tunnel



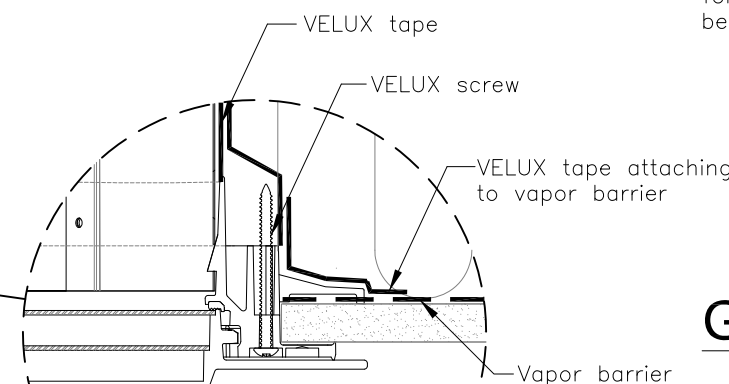
Reflective tunnel, 24" length provided in kit. Anodized aluminum tunnel is 0.016" (26 GA) thick with 99% reflectance.



Section A-A

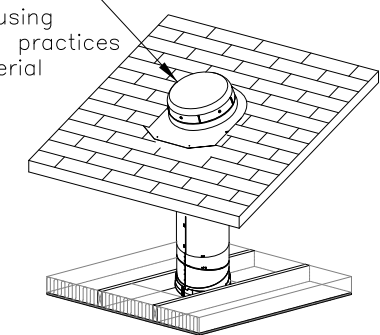


Section B-B



10:1

VELUX TGR Mount & flash using standard roofing practices for roofing material being used.



General Arrangement Layout



Sky-Global Product Management

VELUX
1418 Evans Pond Road
Greenwood, SC 29649
1-800-88-VELUX
www.VELUXUSA.com

TGR - Residential SUN TUNNEL

This drawing is an instrument of service and is provided for informational use only.