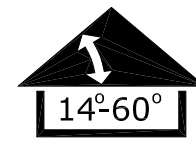


General Notes

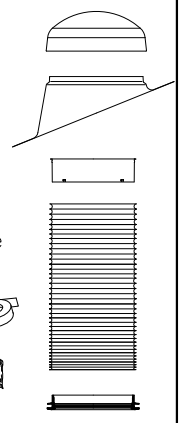
1. This drawing emphasizes the TMF pitched flashing VELUX SUN TUNNEL Skylight. It illustrates a general arrangement layout (plus recommendations) for a VELUX TMF installation in a 14–60 degree roof pitch application utilizing either a suspended acoustical tile or grid ceiling installation.
2. The architectural/structural design and specifications for the inclusion of a tubular daylighting device, such as the VELUX TMF, in any roofing/ceiling application is determined and provided by others. The design criteria includes, but is not limited to design loads, structural configurations, structural framing member sizes and material, architectural finishes and integration with the roofing/ceiling systems of the building. VELUX assumes no responsibility or liability in the design, construction and performance of a building structure by others.
3. Dimensions shown are nominal, unless indicated otherwise.
4. TMF 014 0000 nominal diameter is 14".
5. Ceiling rough opening cut for 014 = 14⁵/₄".
6. Minimum 1 1/4" clearance required around ceiling rough opening, to fit trim ring.



TMF Components

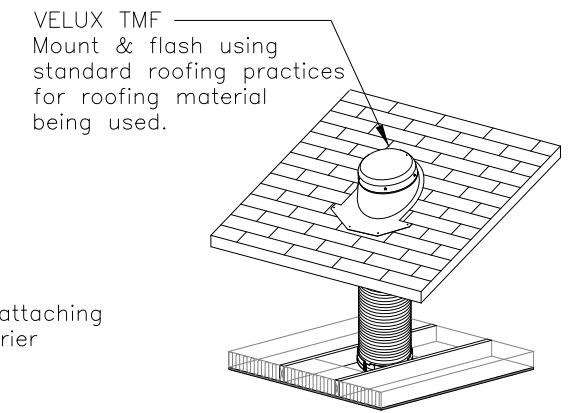
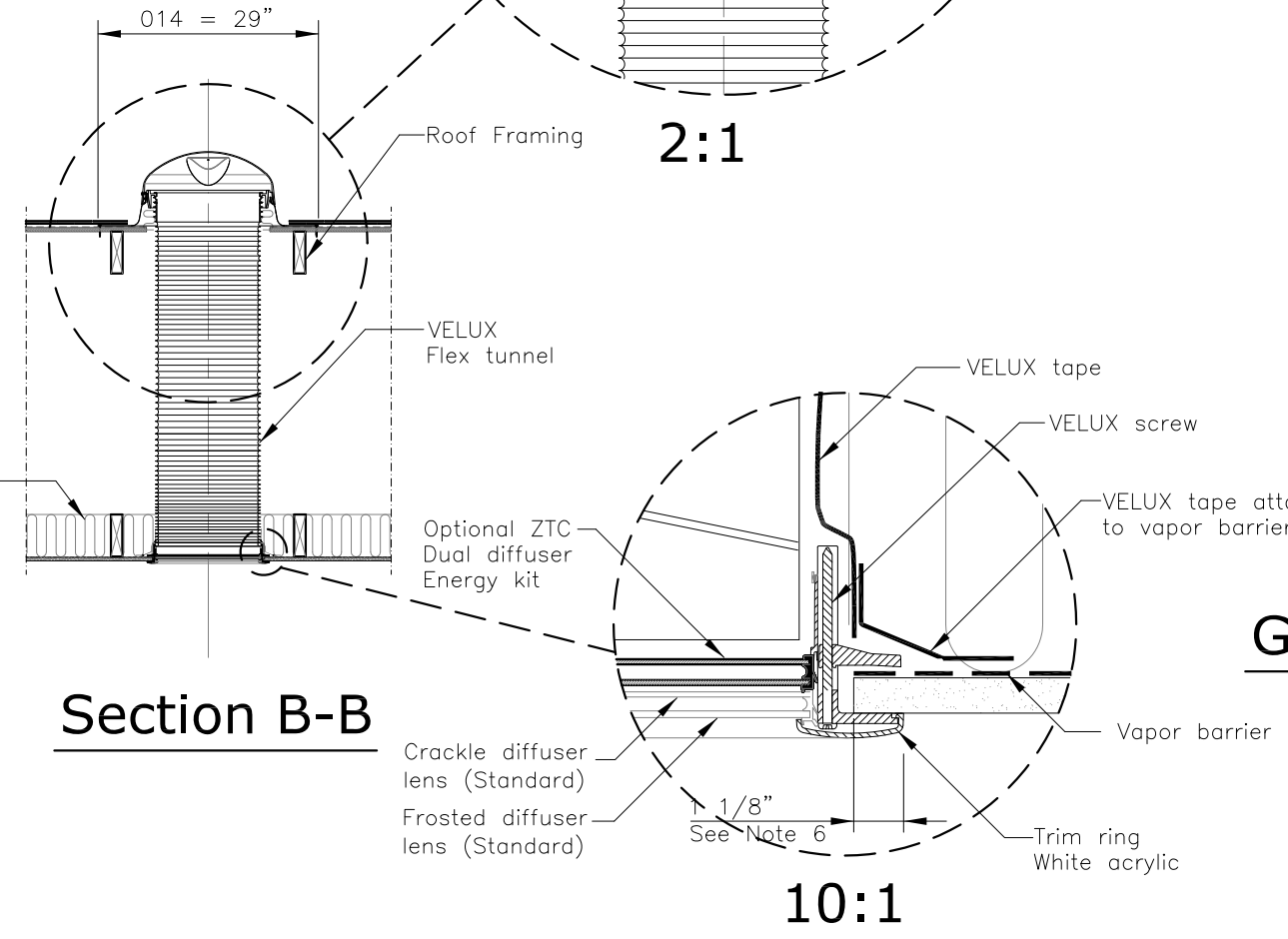
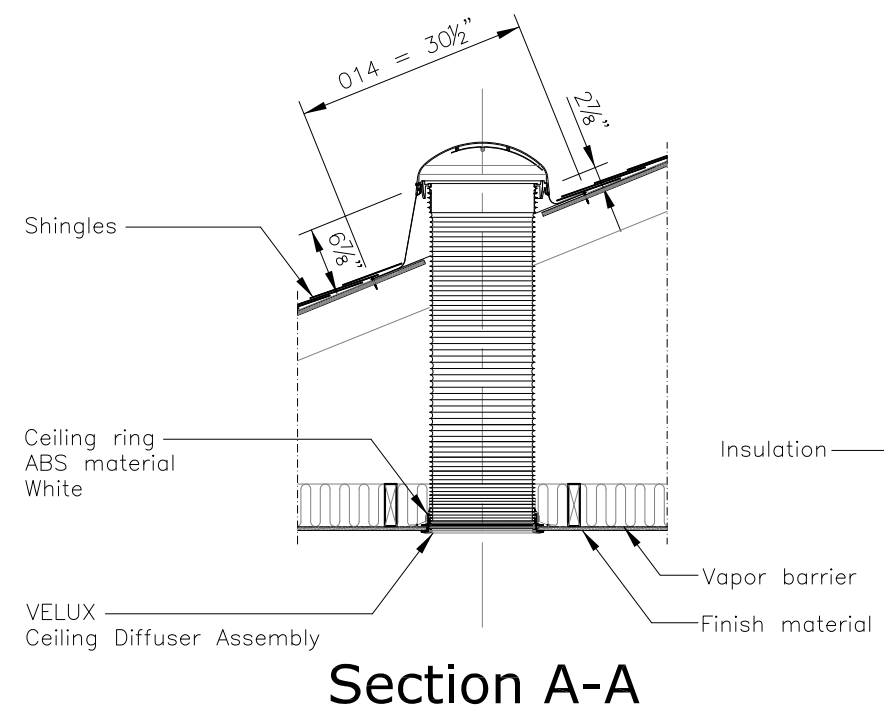
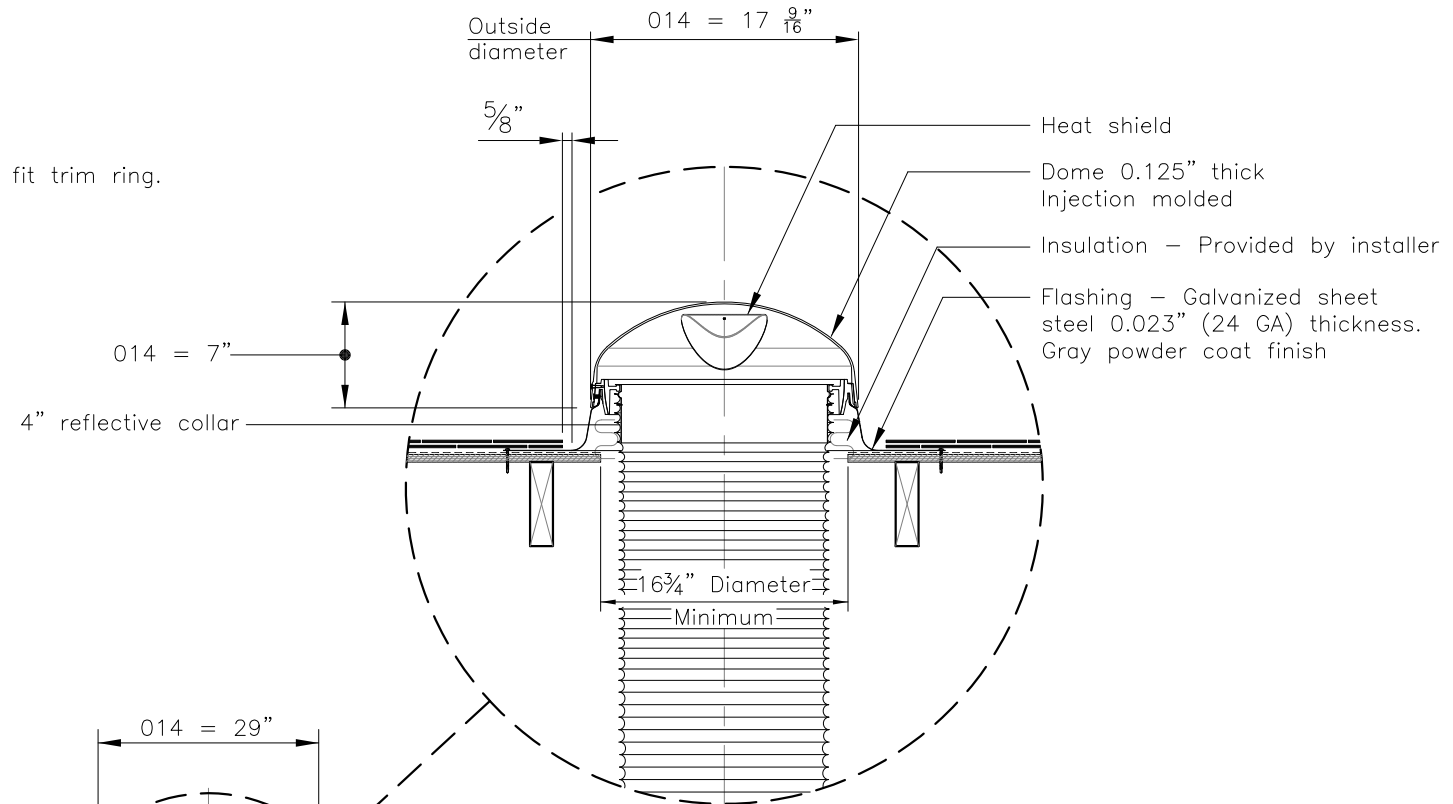
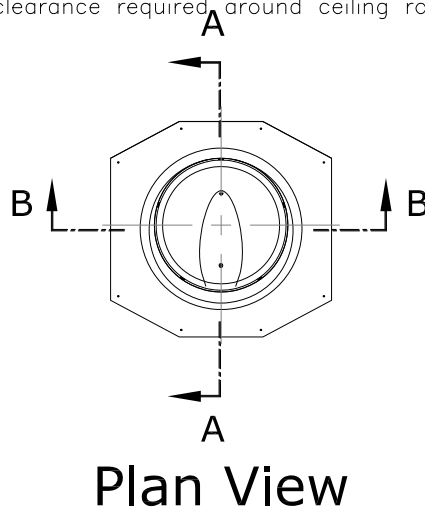
TMF 014 0000

- Acrylic Dome
 - Counter flashing assembly
 - Top collar (4"/.10m)
 - 8'/2.44m Flex tunnel
 - Tape for tunnel joints
 - Hardware bag
-
- Option
TMF 014 1000
Impact Polycarbonate dome
-
- Ceiling ring assembly with crackle over frosted diffuser
 - Gasket material for diffuser
 - Hardware bag
-
- Options
 - ZTC 014 0002US—Prismatic diffuser
 - ZTC 014 0003US—Fresnel diffuser



Option: ZTC 014 0041US Energy kit

- Residential energy kit (Heat shield & quad diffuser)



1418 Evans Pond Road
Greenwood, SC 29649
1-800-88-VELUX
www.VELUXUSA.com

TMF - Residential SUN TUNNEL

This drawing is an instrument of service and is provided for informational use only.