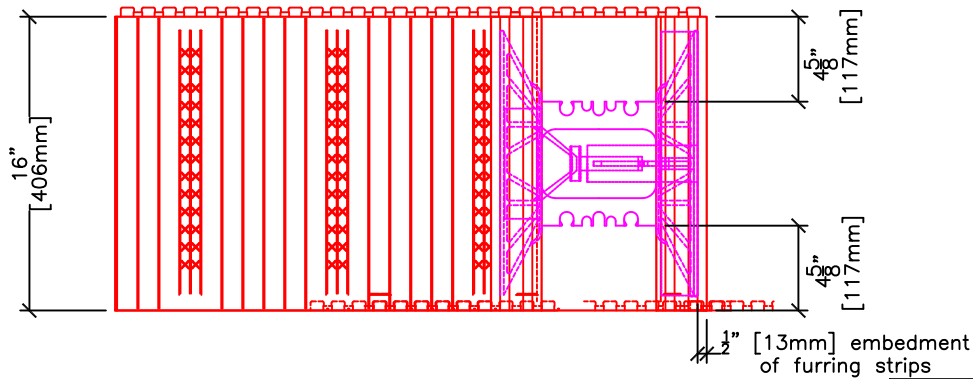
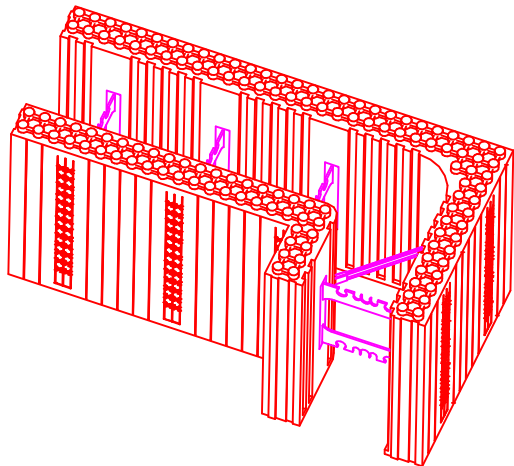


**PLAN VIEW**



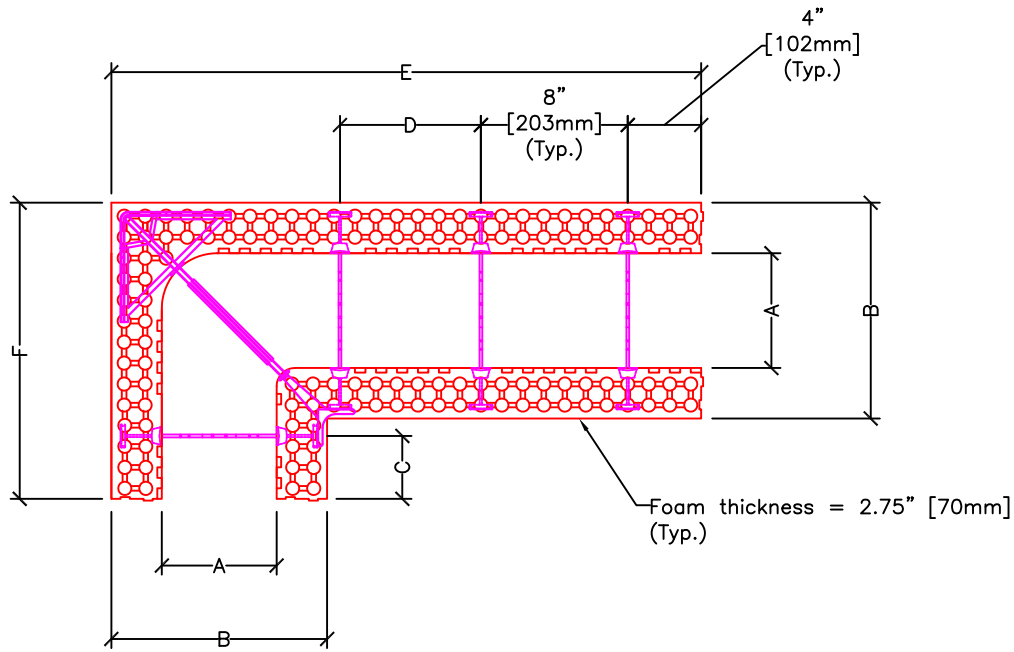
**SIDE ELEVATION**



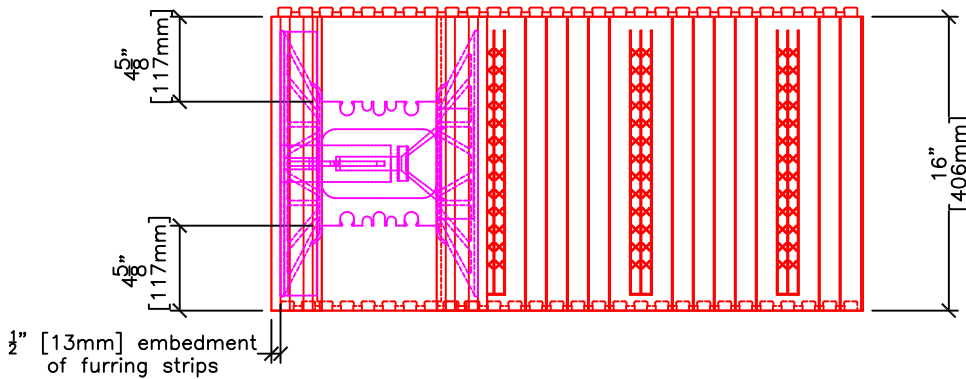
	FORM SIZES			
	4" (102mm)	6.25" (159mm)	8" (203mm)	10" (254mm)
A	4" (102mm)	6.25" (159mm)	8" (203mm)	10" (254mm)
B	9.5" (241mm)	11.75" (298mm)	13.5" (343mm)	15.5" (394mm)
C	3.5" (90mm)	3.375" (87mm)	2.25" (57mm)	2.125" (55mm)
D	7.67" (195mm)	7.67" (195mm)	6.125" (157mm)	5.875" (150mm)
E	32.125" (816mm)	32.125" (816mm)	32.125" (816mm)	34.5" (876mm)
F	16.125" (410mm)	16.125" (410mm)	16.125" (410mm)	18.5" (470mm)

**NOTES:**

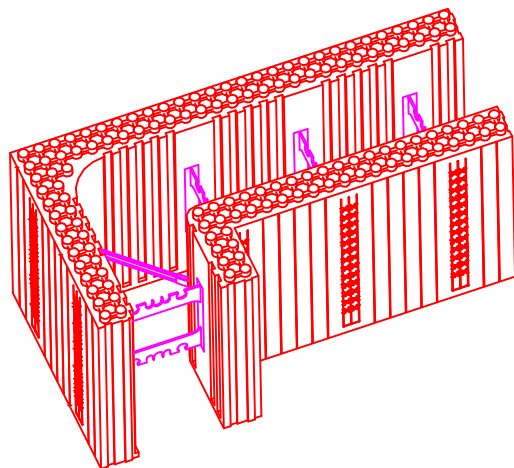
1. Forms are available as assembled (LOGIX PRO) or unassembled (knock-down) form blocks (LOGIX KD. See 5.1.18).
2. Concrete core thickness wider than 12" (305mm) are available using LOGIX Xenders (See 5.1.22).
3. 6 1/4" [159mm] Left Hand Corner Form shown.



**PLAN VIEW**



**SIDE ELEVATION**



**FORM SIZES**

	4" (102mm)	6.25" (159mm)	8" (203mm)	10" (254mm)
<b>A</b>	4" (102mm)	6.25" (159mm)	8" (203mm)	10" (254mm)
<b>B</b>	9.5" (241mm)	11.75" (298mm)	13.5" (343mm)	15.5" (394mm)
<b>C</b>	3.5" (90mm)	3.375" (87mm)	2.25" (57mm)	2.125" (55mm)
<b>D</b>	7.67" (195mm)	7.67" (195mm)	6.125" (157mm)	5.875" (150mm)
<b>E</b>	32.125" (816mm)	32.125" (816mm)	32.125" (816mm)	34.5" (876mm)
<b>F</b>	16.125" (410mm)	16.125" (410mm)	16.125" (410mm)	18.5" (470mm)

**NOTES:**

- Forms are available as assembled (LOGIX PRO) or unassembled (knock-down) form blocks (LOGIX KD. See 5.1.18).
- Concrete core thickness wider than 12" (305mm) are available using LOGIX Xenders (See 5.1.22).
- 6 1/4" [159mm] Right Hand Corner Form shown.